

Lindenwood University

Digital Commons@Lindenwood University

University Documents

Lindenwood Documents, Booklets,
Miscellaneous

1990

Blueprint for a Lindenwood College Swing, circa 1990

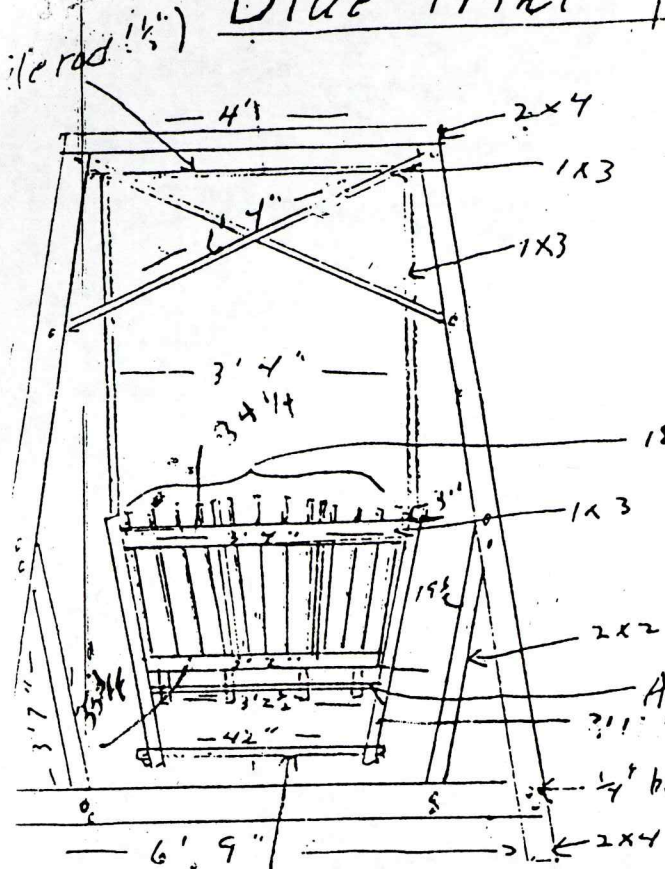
Lindenwood College

Follow this and additional works at: https://digitalcommons.lindenwood.edu/university_docs



Part of the [History Commons](#)

Blue Print for an L.C. Swing

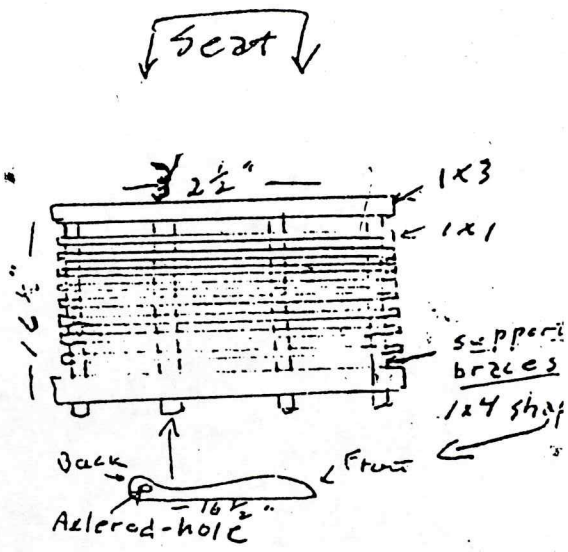


Axlerod (1/2")
Rear View

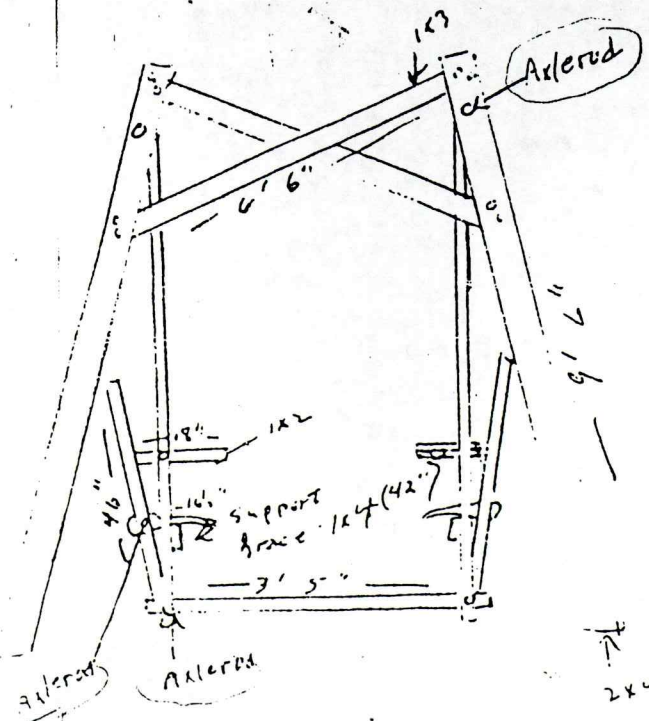
Hand and Blower
2 2 PC
FEE
HOK
9 6 1/8
PIPE
PIPE

18 slats → 1x1 with lengths varying from 24" at sides to 26 1/2" in middle

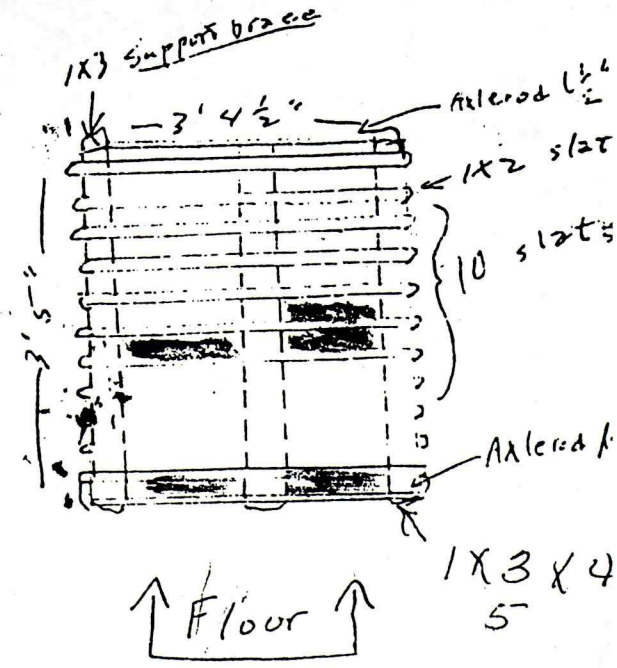
7 1/4" axle
1/2" dia



Back
Axlerod-hole
Front



Side View



Floor

1x3 x 4
5

- Legs 2x4 - 118"
- Top Brace 1x3 1/2 - 45 1/4
- Cross Brace 1x3 1/2 - 55 1/2
- Swing Brace 1x3 1/2 - 101"
- Armrest 1x3 1/2 - 18"
- Back rest 1x3 1/2 - 47"
- Foot rest 1x3 - 40 1/2

